



3725 Nicholson Rd.  
Franksville, WI 53126  
unicous.com

From: Mike Lasch – U.S. Aftermarket

To: Unico Sales Offices

Revised July 21, 2020

#### S-2000 FRU 2400 Fan Mounting Bracket Kits Bulleting - Notice of Product Improvement for Serviceability

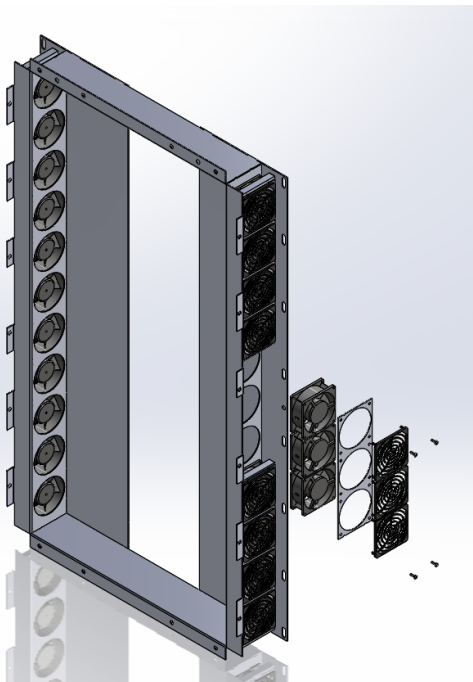
As a continuous improvement effort for serviceability, Unico has revised the fan mounting on air cooled 2400 series drives which utilize fan part number 938021. The sheet metal has been revised to facilitate replacement of the fan without disassembling the front of the inverter. The revised sheet metal and associated parts were introduced in May 2020 production.

The revisions are available for field replacement of the prior sheet metal and fan arrangement.

The four Field Replace Unit (FRU) kits are:

- 716617 S-2000 FRU 2400 MOUNTING BRACKET KIT PD22  
(QTY 2 FOR DC OUTPUT, QTY 3 FOR AC 3 PHASE)
- 716618 S-2000 FRU 2400 MOUNTING BRACKET KIT 2228
- 716619 S-2000 FRU 2400 MOUNTING BRACKET KIT 3428
- 716620 S-2000 FRU 2400 MOUNTING BRACKET KIT 4828
- 716657 S-2000 FRU 2400 MOUNTING BRACKET KIT 1822  
S-2000 FRU 2400 MOUNTING BRACKET KIT PD27
- 716658 (QTY 2 FOR DC OUTPUT, QTY 3 FOR AC 3 PHASE)

See below for an exploded view of the new fan mounting arrangement.



Contact Unico Aftermarket for price and availability.